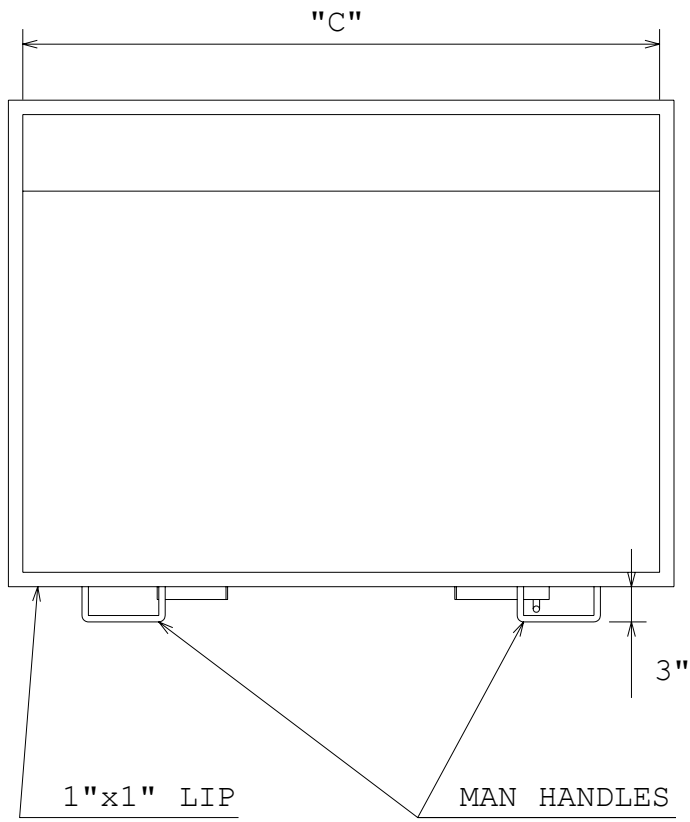
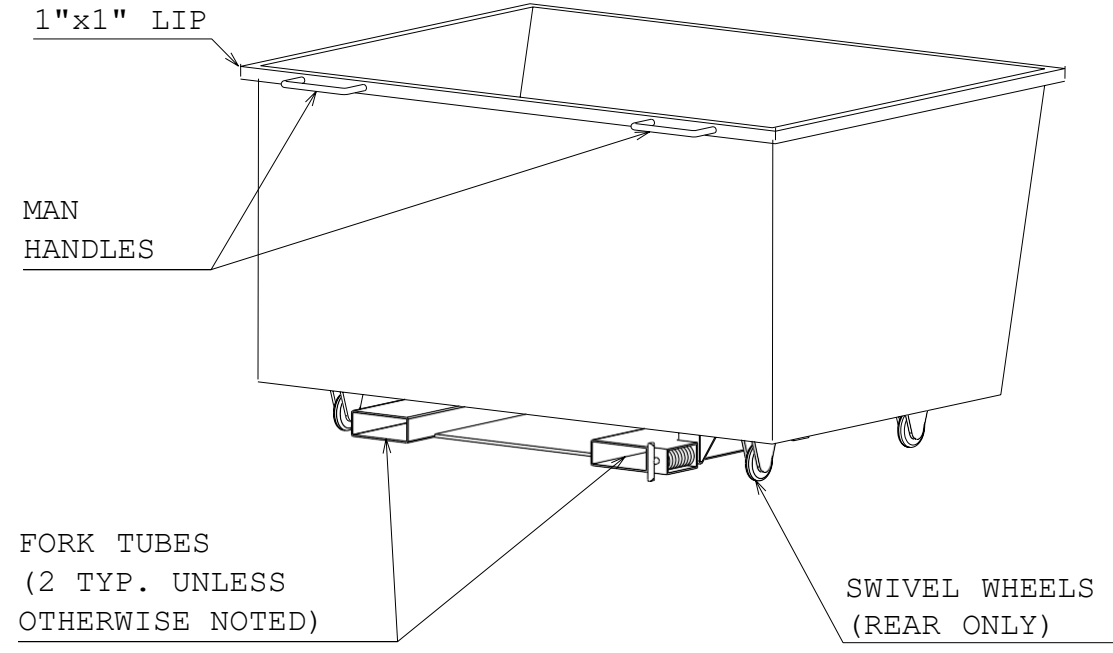


H G F E D C B A

4



PLAN VIEW
Scale: 1:15

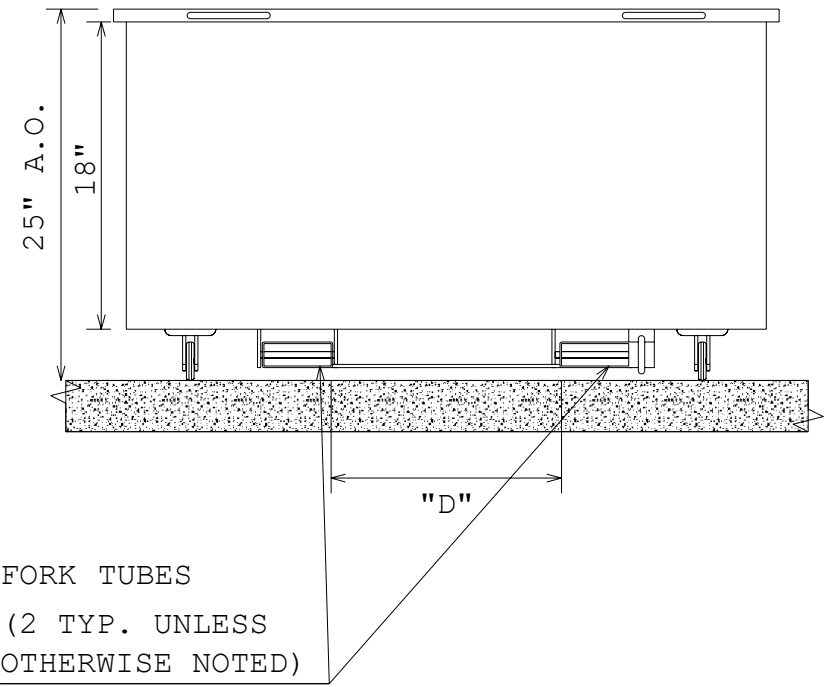


ISOMETRIC VIEW
Scale: 1:15

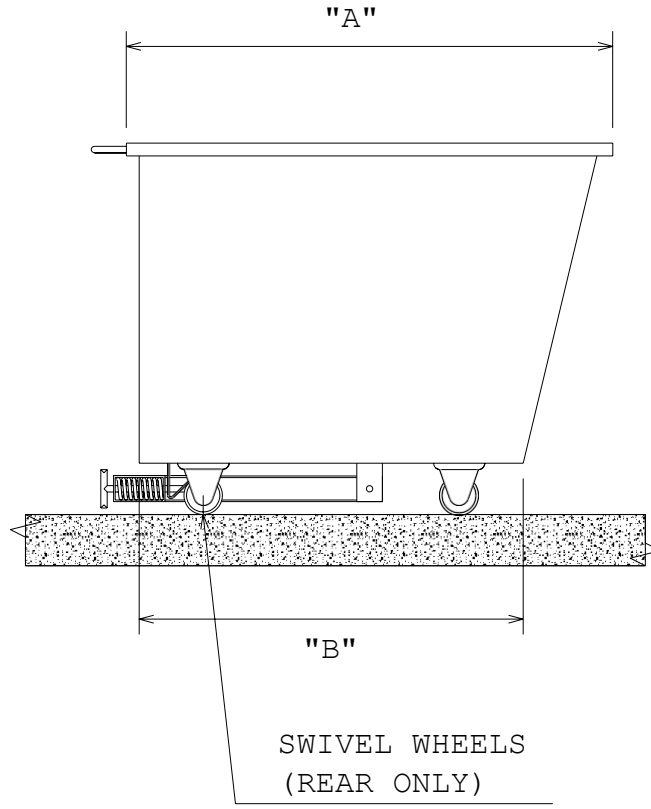
GENERAL DIMENSIONS FOR FILTER CAKE DUMPSTER				
DUMPSTER FOR 470MM PRESS				
PRESS SIZE CU/FT	"A"	"B"	"C"	"D"
0.6	30"	24"	20"	N/A ONE FORK
1	30"	24"	25"	N/A ONE FORK
1.5	30"	24"	31"	N/A ONE FORK
2	30"	24"	38"	5"
2.5	30"	24"	45"	15"
3	30"	24"	52"	19"
3.5	30"	24"	58"	19"
4	30"	24"	65"	19"
5	30"	24"	79"	19"
DUMPSTER FOR 630MM PRESS				
PRESS SIZE CU/FT	"A"	"B"	"C"	"D"
2	36"	30"	36"	3"
3	36"	30"	43"	10"
4	36"	30"	50"	17"
5	36"	30"	60"	19"
6	36"	30"	66"	19"
7	36"	30"	76"	19"
8	36"	30"	82"	19"
9	36"	30"	90"	19"
10	36"	30"	98"	19"
* 8	36"	30"	(2) 41"	11"
* 9	36"	30"	(2) 45"	15"
* 10	36"	30"	(2) 48"	18"
DUMPSTER FOR 800MM PRESS				
PRESS SIZE CU/FT	"A"	"B"	"C"	"D"
5	42"	36"	44"	11"
6	42"	36"	51"	18"
8	42"	36"	61"	19"
10	42"	36"	71"	19"
12	42"	36"	81"	19"
* 15	42"	36"	(2) 47"	13"
* 20	42"	36"	(2) 59"	19"
* 25	42"	36"	(2) 71"	19"
* 30	42"	36"	(2) 83"	19"
* 35	42"	36"	(2) 95"	19"
* 40	42"	36"	(2) 107"	19"

3

2



REAR VIEW
Scale: 1:15



SIDE VIEW
Scale: 1:15

THIS DRAWING IS MET-CHEM PROPERTY. IT CAN'T BE REPRODUCED OR COMMUNICATED WITHOUT OUR WRITTEN AGREEMENT.

DRAWN BY M.S	DATE 01-MAR-23
CHECKED BY M.C	DATE 01-MAR-23
DESIGNED BY M.C	DATE 01-MAR-23

MET-CHEM INC.®

DRAWING TITLE: **FILTER CAKE DUMPSTER**

SIZE A3	DRAWING NUMBER GA-8001-300	REV A
SCALE 1:15	SHEET 1/2	

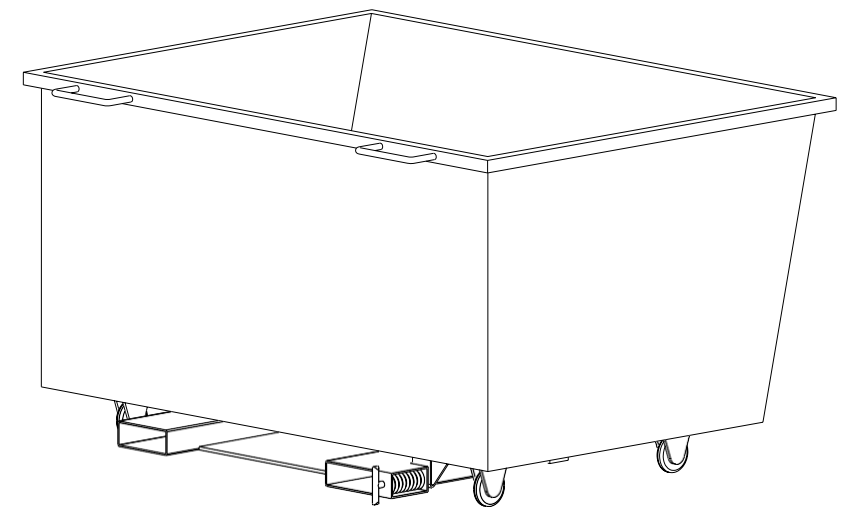
H G B A

4

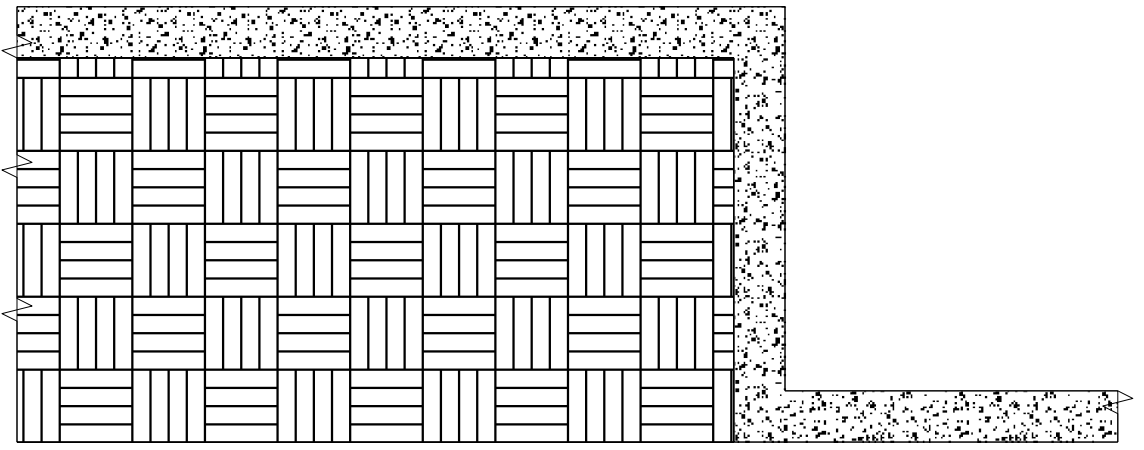
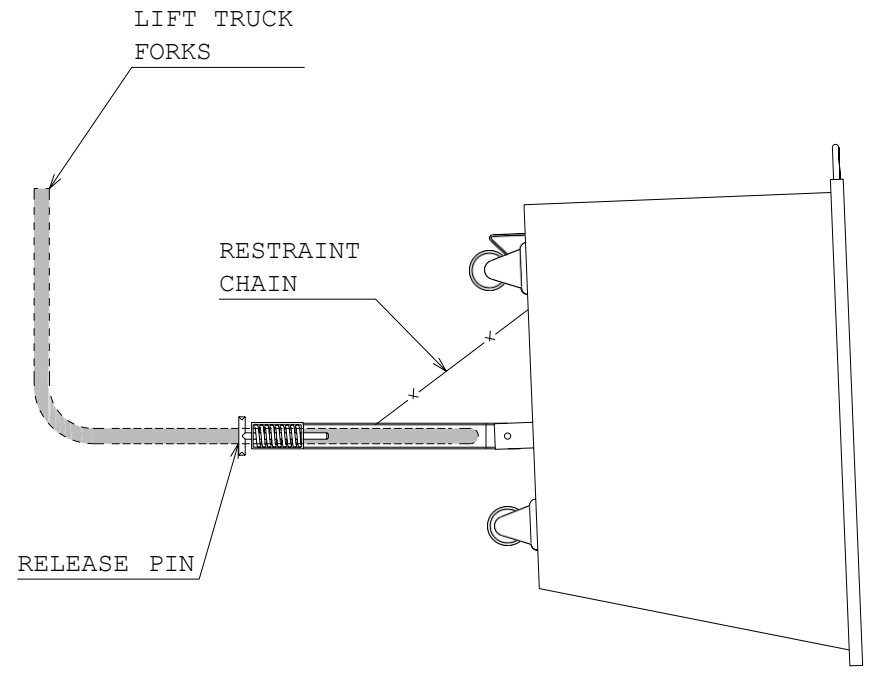
3

2

1



Isometric view
Scale: 1:15



SIDE ELEVATION VIEW
Scale: 1:15

THIS DRAWING IS MET-CHEM PROPERTY. IT CAN'T BE REPRODUCED OR COMMUNICATED WITHOUT OUR WRITTEN AGREEMENT.



DRAWN BY	DATE
M.S	01-MAR-23
CHECKED BY	DATE
M.C	01-MAR-23
DESIGNED BY	DATE
M.C	01-MAR-23

DRAWING TITLE			
FILTER CAKE DUMPSTER			
SIZE	DRAWING NUMBER	REV	
A3	GA-8001-300	A	
SCALE	1:15	SHEET	2/2